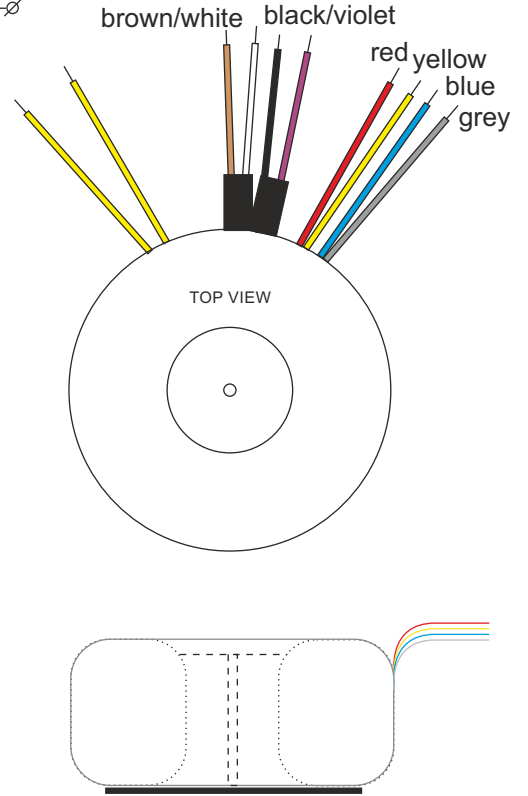
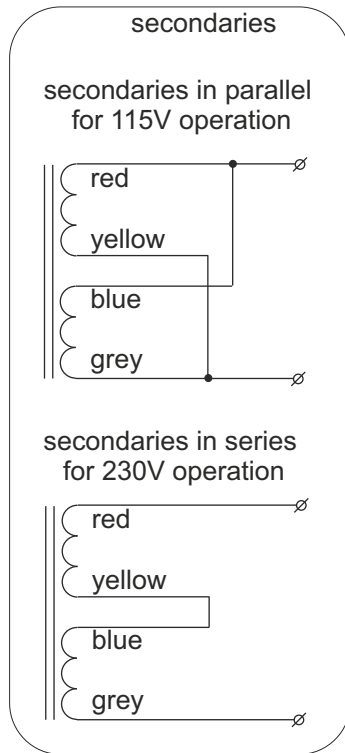
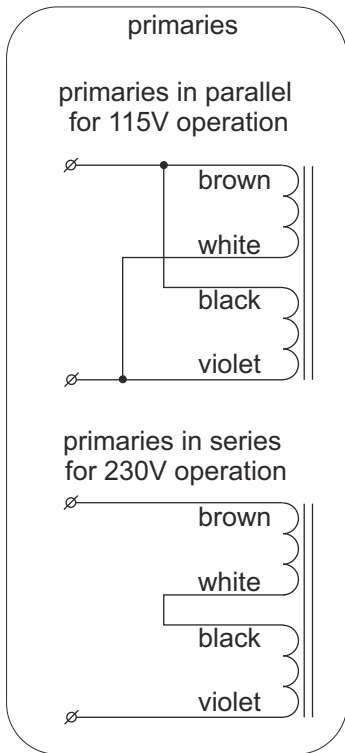
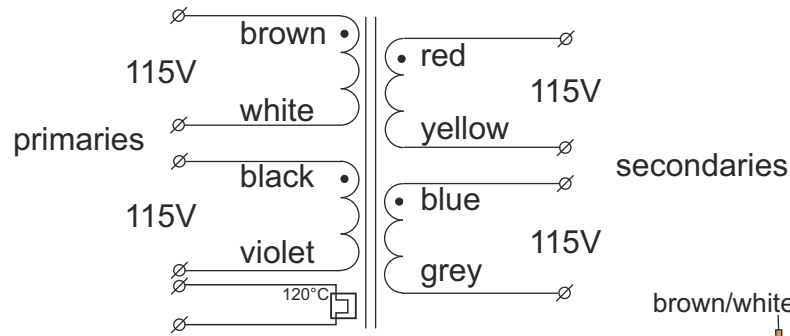


Toroidal transformer 2500VA type P7670PT



Built-in selfresetting thermal cut-out 120°C to be applied in auxiliary circuits only !

Diameter approx.225mm
 Height approx.95mm
 Weight approx.20 kg
 All leads are flexible and approx 200mm long

Center potted with 8mm mounting hole.
 Rubber washer supplied.

Built and tested according to EN61558.
 With CE and UL/CSA approvals.
 UL filenumber E311200
 RoHS-compliant

Type number	primary	secondaries voltage	current
P7670PT	2x115V	2x 115V	10.8A

All voltages are under full ohmic load.
 Regulation : 2.5%

P/N AMP-2500115
 TYPE P7670PT
 BATCH 00000
 MADE IN CHINA

CE 50/60Hz
 C-UL-USA E311200

PRI. 2x 115VAC BROWN-WHITE / BLACK-VIOLET
 SEC. 2x 115VAC 10.8A RED-YELLOW / BLUE-GREY
 AMPLIMO BV, INDUSTRIEWEG 14, 7161BX, NEEDE NL, WWW.AMPLIMO.NL

	Industrieweg 14 NL-7161BX NEEDE The Netherlands P O - B o x 2 7 NL-7160AA NEEDE The Netherlands Tel.+31 (0)545 283456 Fax+31 (0)545 283457 info@amplimo.nl http://www.amplimo.nl	HB	Sep 2018	<h2>P7670PT</h2> <h3>AMP-2500115</h3> <p>toroidal power transformer 2500VA</p>
	© Copyright Amplimo BV			